



## THS-90-ZLV High Velocity Air Handler

Job Name		Contractor	
Location		Distributor	
Engineer		Date	
Submitted to		Model	THS-90-ZLV
Schedule ID			

Specification	THS-90-ZLV
Btu Heating @180 F EWT	115 kbtu/h
Btu Heating @160 F EWT	93.52 kbtu/h
Btu Heating @140 F EWT	72.45 kbtu/h
Btu Heating @120 F EWT	51.67 kbtu/h
Rated water flow (GPM)	5
Piping connection, Copper (inch)	3/4
CFM @ 0.5" external static pressure	1280
DX Cooling Capacity Ton* ( Suggested)	1.5-3
Recommended filter size	16x20
Cabinet Size W x D x H (in)	21x21x34
Supply Air opening W x D (in)	18.5x18.5
Return Air Opening W x D (in)	18.25x14.25
Supply voltage	115/60/1
Fan motor (hp)	1/2
FLA	6.4
MCA	8.94
MOP	15
Shipping weight (lb)	117
Shipping Dimensions (WxDxH in)	22x23x35

\* select motor speed to match condenser requirements

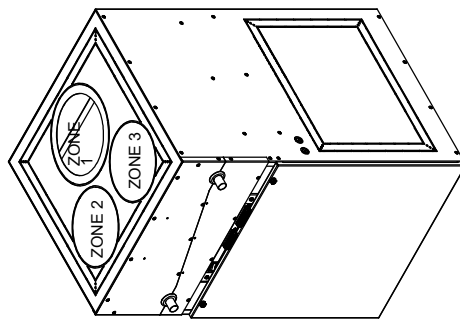
### Features:

The **THS-90-ZLV** is a High Efficiency Hydronic High Velocity Air Handler, Variable Speed ECM, 3 Stages of Airflow for Heating, 2 Stages of Airflow for Cooling, Multi Position Installation, Hydronic Heating and DX Cooling Applications, ECM low speed is only 45% of maximum making for quiet single zone calls or continuous ventilation and filtration, Boiler Contacts, Pump Relay, Easy installation and Servicing, Bottom or Side Return, Compact Size.

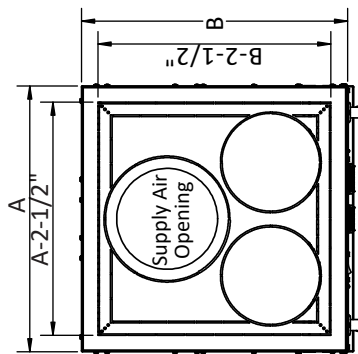
# VULCANO

## THS-90-ZLV High Velocity Air Handler Dimensional Drawing

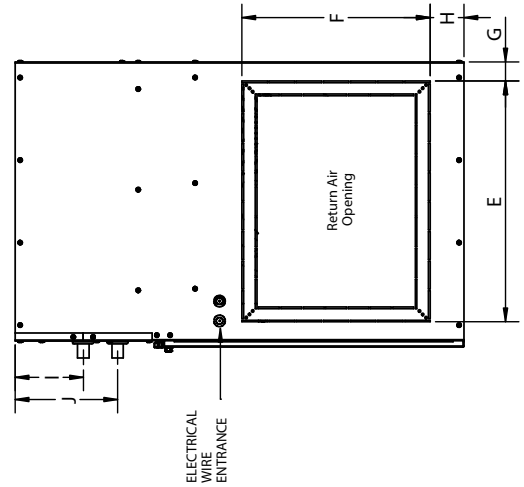
PHYSICAL DATA (inches)									
Model	Overall Size W x D x H			Return Air Opening (W x H)			Pipe Distance from top		
	A	B	C	E	F	G	H	I	J
THS-90-ZLV	21	21	34	18.25	14.25	1.41	2.56	5.15	7.75



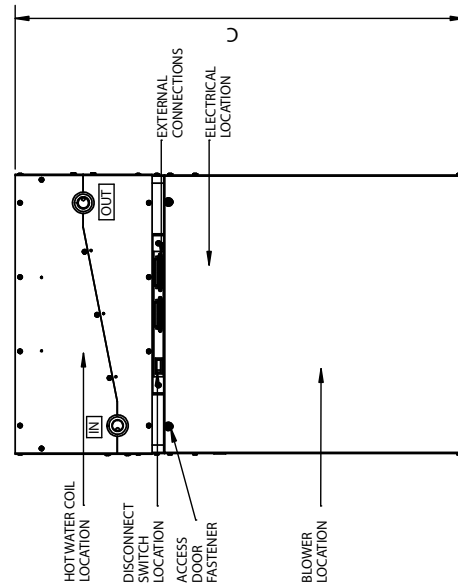
ISOMETRIC VIEW



TOP VIEW



SIDE VIEW



FRONT VIEW