

# VULC NO



## Hi-Velocity Hydronic Air Handlers



- Simplified installation
- Multi-speed ECM motor adjusts fan to maintain consistent air flow
- Independently select from up to 5 different fan speeds for heating and cooling
- Quick-Mount zone damper system
- Integrated pre-wired zone control
- Installer friendly front mount terminal blocks
- External pump & 24 VAC contacts
- Standard Domestic water priority
- Soft-ramping fan technology means quiet comfort in all modes of operation
- Lined with acoustic insulation
- Up to 3 tons of cooling and 120,000 BTU of heating
- All Radiant air handlers match best with Radiant boilers, Radiant water heaters, or any other hot water source

Hi Velocity Superior Comfort

THS 50-HV    THS 90-HV    THS 100-HV

**Radiant** hydronic air handlers offer comfort solutions right "out-of-the-box". Integrated logic means simple plug and play installations that are right every time



# VULC NO



Thermal Hydronic Supply  
101 Sharer Road  
Woodbridge ON L4L 8Z3  
ph. 905-265-1527  
fax 905-265-9739



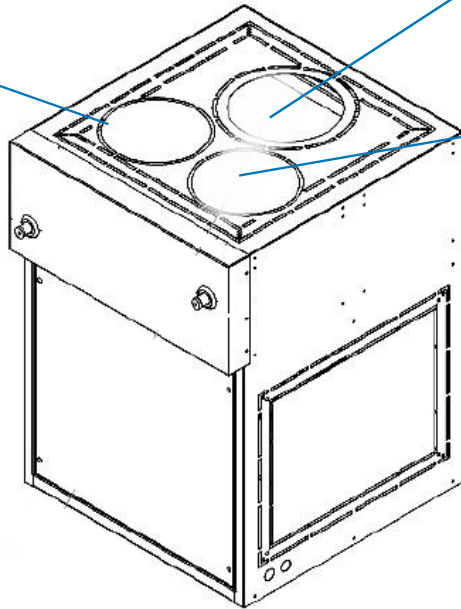
# Vulcano Hi-Velocity Premium Hydronic Air Handlers

## Quick Mount Zoning

**Zone 2**  
Optional

**Zone 1**  
Standard

**Zone 3**  
Optional



Easy access front mount terminal blocks



### Specifications

Model	THS 50-HV	THS 90-HV	THS 100-HV
<b>Heating Performance Data @ 70°F Entering Air Temperature</b>			
Max. MBTUH @ EWT 120°F	28	38	43
Max. MBTUH @ EWT 140°F	38.7	54	61
Max. MBTUH @ EWT 160°F	49.5	69	78
Max. MBTUH @ EWT 180°F	60.4	85	96
Piping Connections Copper (inches)	1/2	3/4	3/4
Flow Ratings GPM	5	7	7
CFM @ 1.5" E.S.P.	580	815	1,200
DX Cooling Tons	1 - 2	2 - 2.5	2 - 3
Cabinet Size W x D x H (inches)	14 x 21 x 29	21 x 21 x 29	21 x 21 x 29
Supply Air Opening Diameter (inches)	8	8	Zone 1 X 10" Zones 2 & 3 X 8"
Return Air Opening W x H (inches)	18.3 x 14.3	18.3 x 14.3	18.3 x 14.3
Minimum Outlets	12	16	19
Maximum Outlets	17	23	28
Unit Weight (lbs.)	85	95	98



boilers - water heaters - air handlers  
heating technology since 1959

Thermal Hydronic Supply Ltd

101 Sharer Road  
Woodbridge ON L4L 8Z3  
ph. 905-265-1527  
fax 905-265-9739

