

VULCANO



Job Name		Contractor	
Location		Distributor	
Engineer		Date	
Submitted to		Model	THS-90HV
Schedule ID			

Specification	THS 90 HV
Btu Heating @180 F EWT	85 MBH
Btu Heating @160 F EWT	69 MBH
Btu Heating @140 F EWT	54 MBH
Btu Heating @120 F EWT	38 MBH
Rated water flow (GPM)	7
Piping connection, Copper (inch)	3/4
Cooling Capacity (ton)*	2-2.5
CFM @ 1.5" external static pressure	815
Recommended filter size	16x20
Cabinet Size W x D x H (in)	21x21x29
Supply Air opening W x D (in)	11.8x17.8
Return Air Opening W x D (in)	18.3x14.3
Supply voltage	115/60/1
Fan motor (hp)	1/2
FLA	6.1
MCA	8.6
MOP	15
Shipping weight (lb)	120
Shipping Dimensions (WxDxH in)	36x24x26

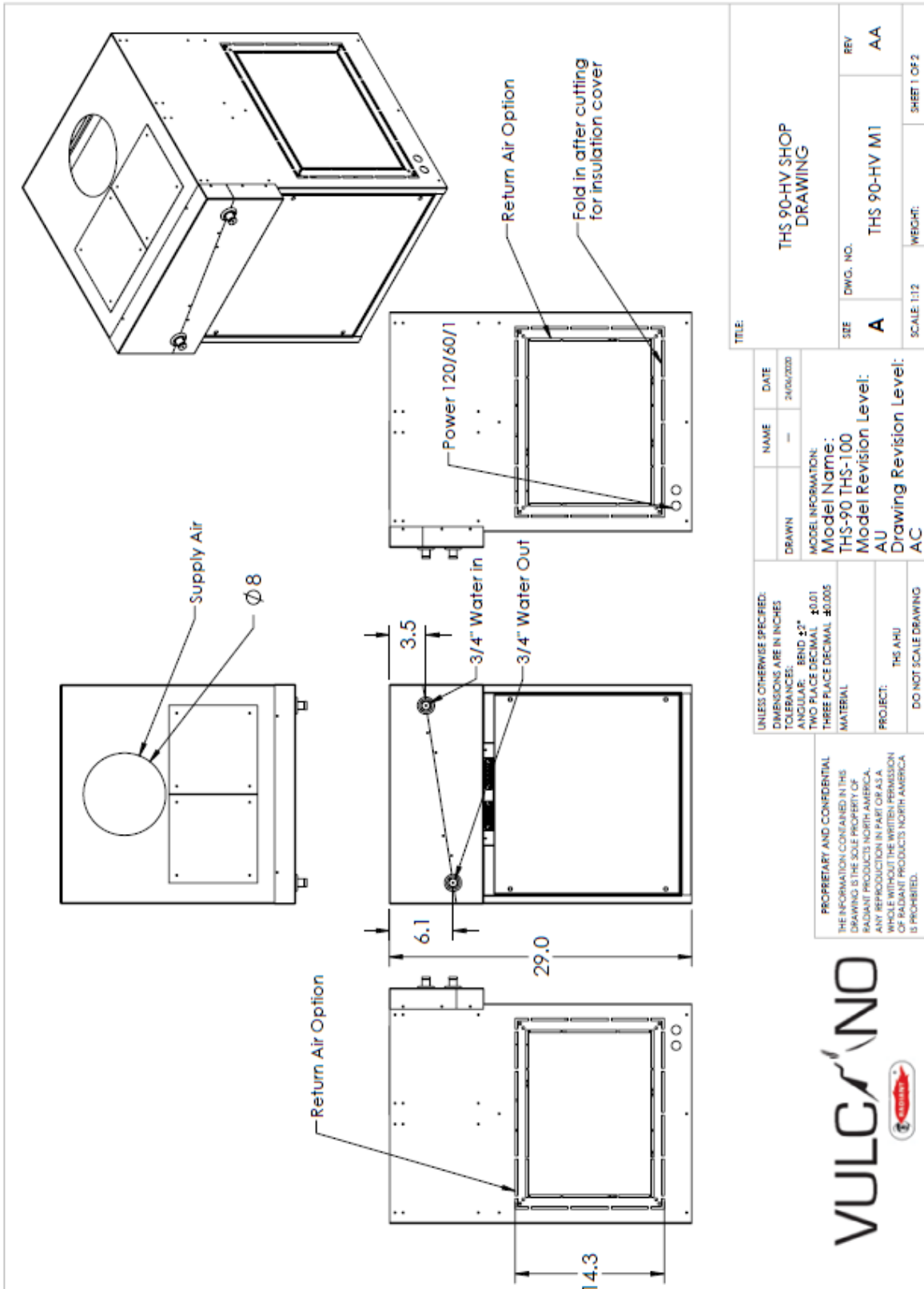
* select motor tap to match condenser requirements

Features:

The THS 90-HV is a high efficiency hydronic air handler with constant speed EC Motor suitable for high velocity ducting applications. Use with Radiant zone dampers THS-2ZHV-2 for 2 independent comfort zones. The ECM low speed is only 45% of maximum making for quiet single zone calls or continuous ventilation and filtration.

Shop Drawing:

VULCANO



TITLE:		THS 90-HV SHOP DRAWING	
DRAWN	NAME	DATE	
—	—	24/06/2020	
MODEL INFORMATION:			
Model Name: THS-90 THS-100			
Model Revision Level: AU			
SIZE	DWG. NO.	REV	
A	THS 90-HV M1	AA	
SCALE: 1:12		WEIGHT:	
		SHEET 1 OF 2	

UNLESS OTHERWISE SPECIFIED:		DIMENSIONS ARE IN INCHES	
TOLERANCES:		FRACTIONS: ±.01	
		DECIMALS: ±.01	
		THREE PLACE DECIMAL: ±.005	
MATERIAL:		THS AIRU	
PROJECT:		THS AIRU	
DO NOT SCALE DRAWING			